

Sign installation instructions

for Indoor (7. 62mm) ,Semi-outdoor (7. 62mm/11. 43mm/15. 24mm/
20. 0mm) ,Outdoor (16. 0mm/20. 0mm/25. 0mm)

These instructions how to mount the following signs: Indoor (7. 62mm) ,Semi-outdoor (7. 62mm/11. 43mm/15. 24mm/
20. 0mm) ,Outdoor (16. 0mm/20. 0mm/25. 0mm) .

Before mounting a sign, remove power from the sign.

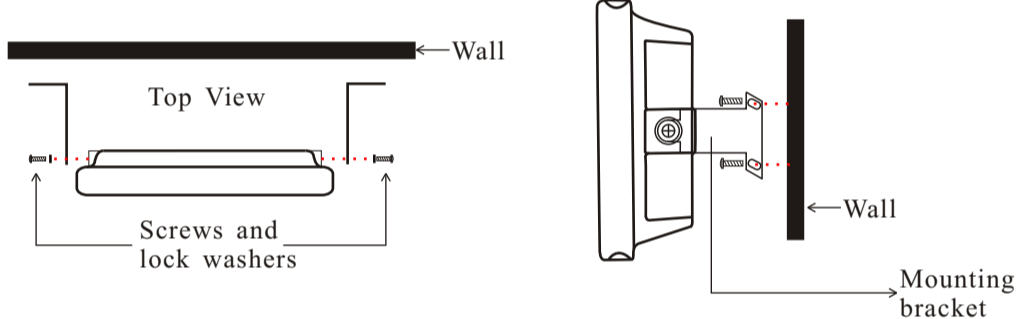
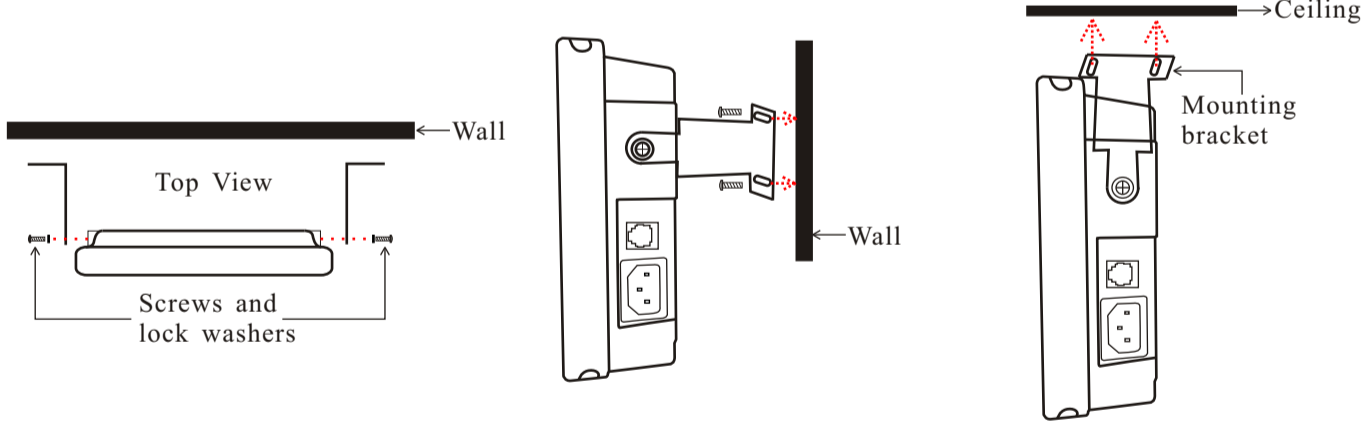
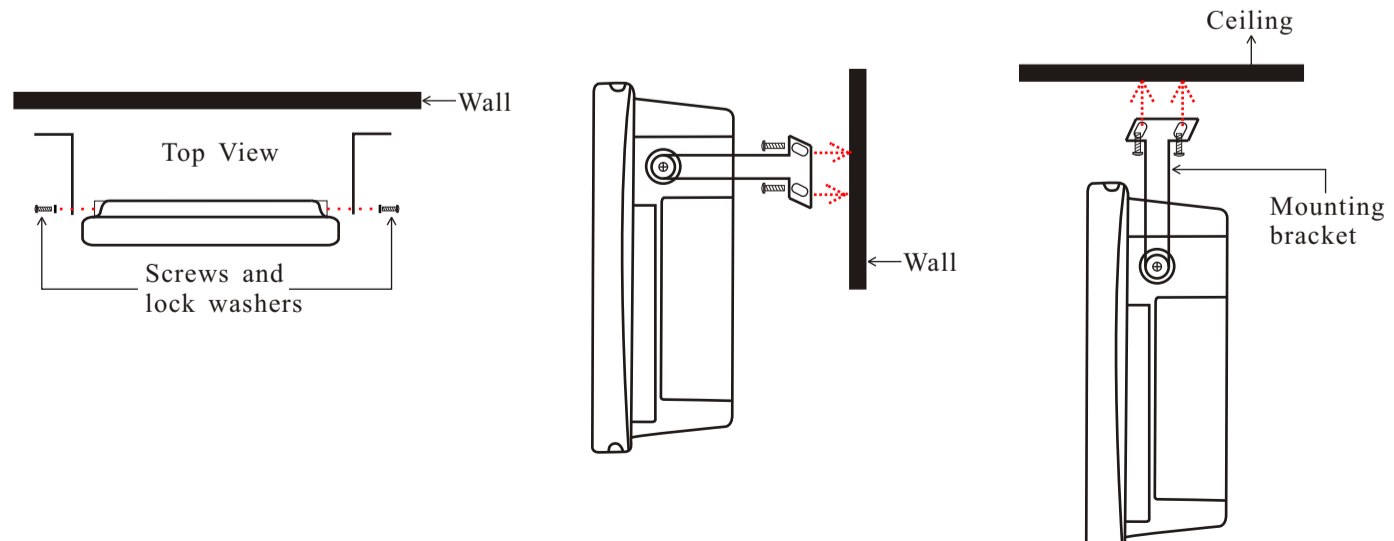
Hazardous voltage.

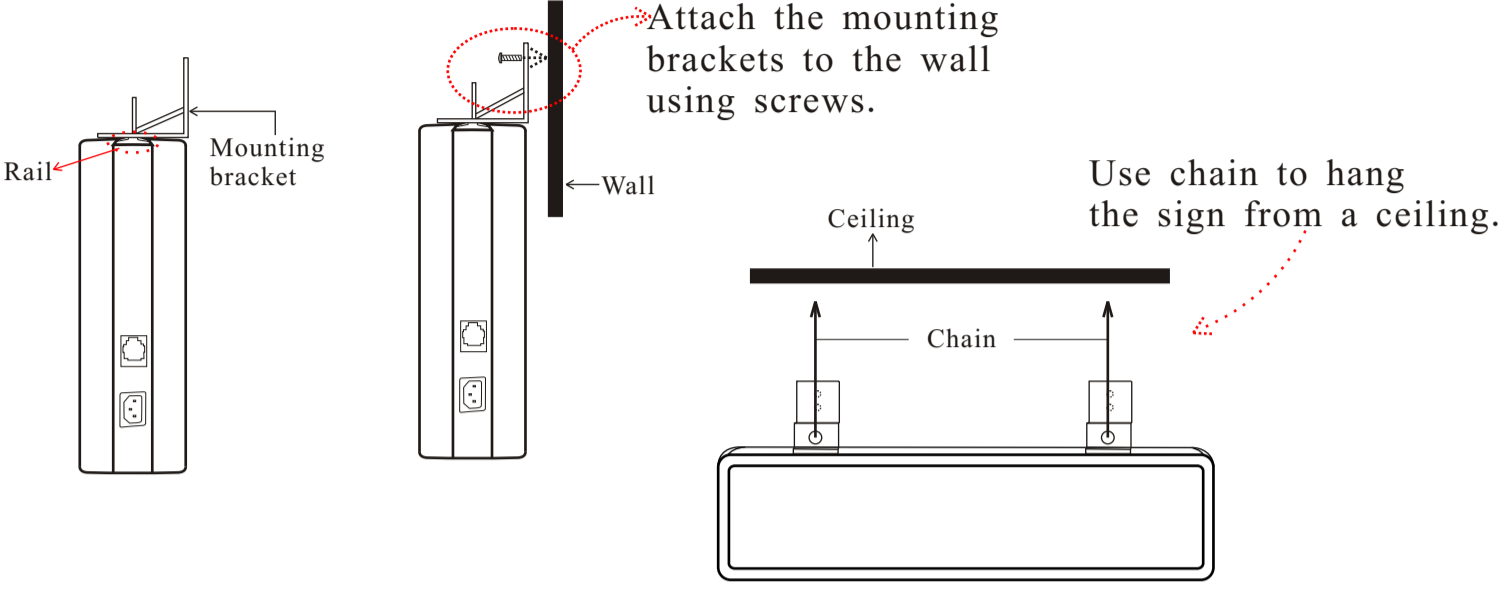
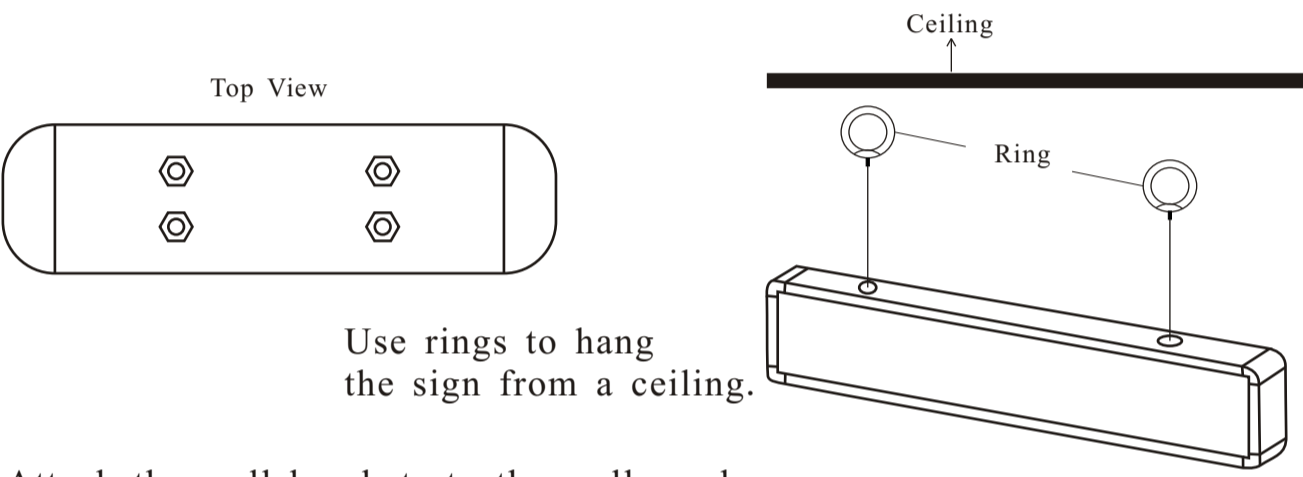
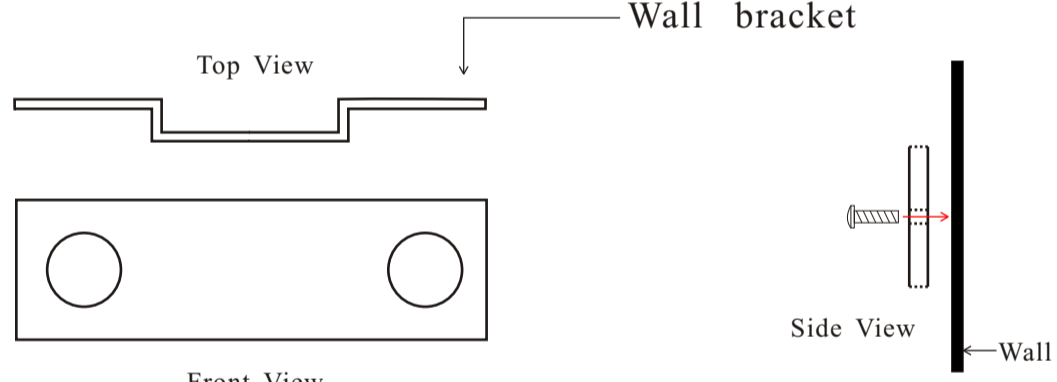
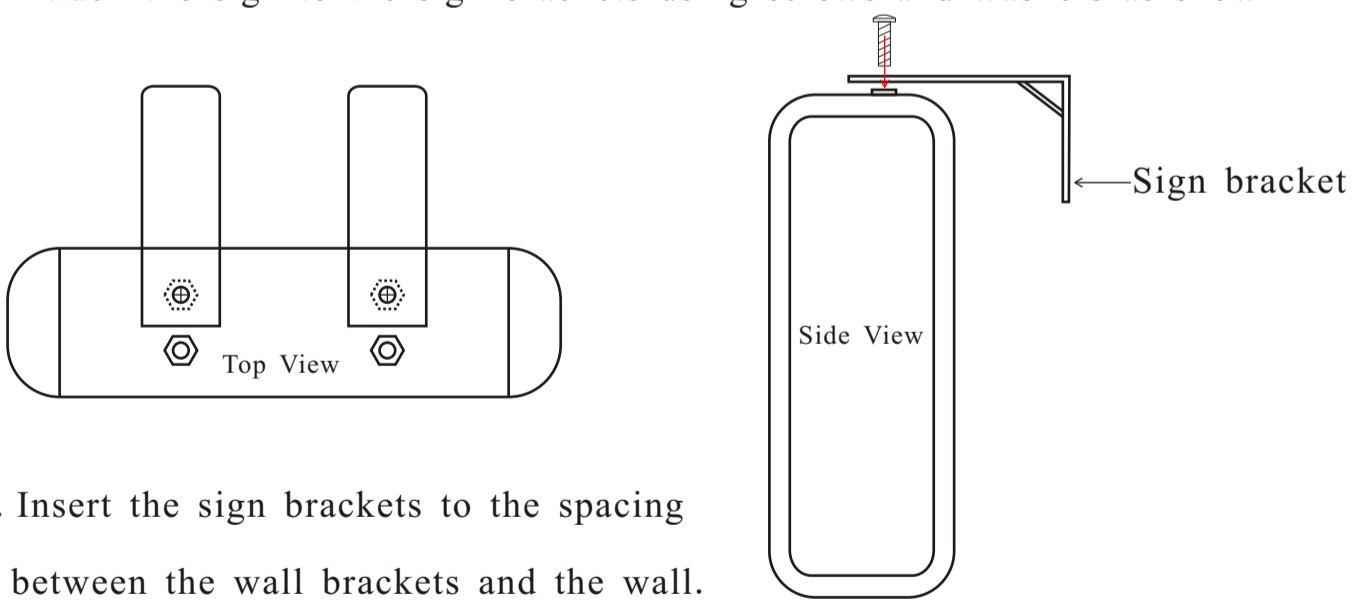
Contact with high voltage may cause death or serious injury.

Always disconnect power to sign prior to servicing.

▲ WARNING

We provide brackets, screws and washers that need for mounting.

Model	Mounting instructions
Indoor or semi-outdoor (7. 62mm) one-line	<ol style="list-style-type: none"> 1. Attach the mounting brackets to the wall. 2. Attach the sign to the mounting brackets using screws and washers as shown. 
Indoor or Semi-outdoor (7. 62mm) two-line Semi-outdoor 15. 24mm one line	<ol style="list-style-type: none"> 1. Attach the mounting brackets to the wall or ceiling. 2. Attach the sign to the mounting brackets using screws and washers as shown. 
Indoor or Semi-outdoor (7. 62mm) three and four line Semi-outdoor 11. 43mm two line Semi-outdoor 15. 24mm two line	<ol style="list-style-type: none"> 1. Attach the mounting brackets to the wall or ceiling. 2. Attach the sign to the mounting brackets using screws and washers as shown. 

Model	Mounting instructions
<p>Semi-outdoor 11. 43mm three and four line Semi-outdoor 20. 0mm two, three and four line</p>	<p>Insert a mounting bracket into the "rail" on each side of the sign.</p>  <p>Attach the mounting brackets to the wall using screws.</p> <p>Use chain to hang the sign from a ceiling.</p>
<p>Outdoor led sign (16. 0mm/20. 0mm/ 25. 0mm)</p>	<p>Use rings to hang the sign from a ceiling.</p>  <p>1. Attach the wall brackets to the wall as shown.</p>  <p>2. Attach the sign to the sign brackets using screws and washers as shown.</p>  <p>3. Insert the sign brackets to the spacing between the wall brackets and the wall.</p> 